



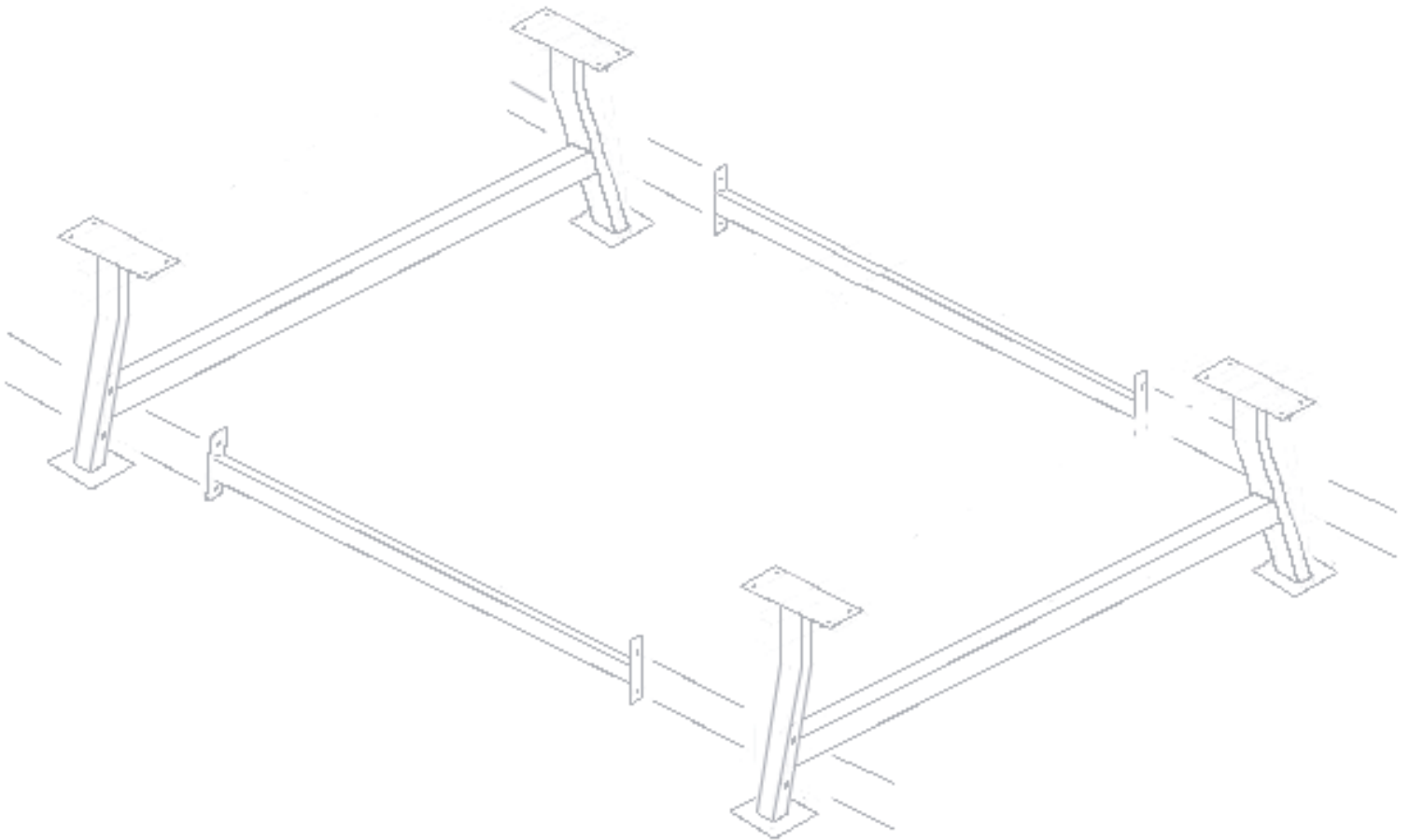
# Canadian Enviro-Tub

## **Enviro-Tub 4 Foot Stand Assembly Instructions**





# Canadian Enviro-Tub

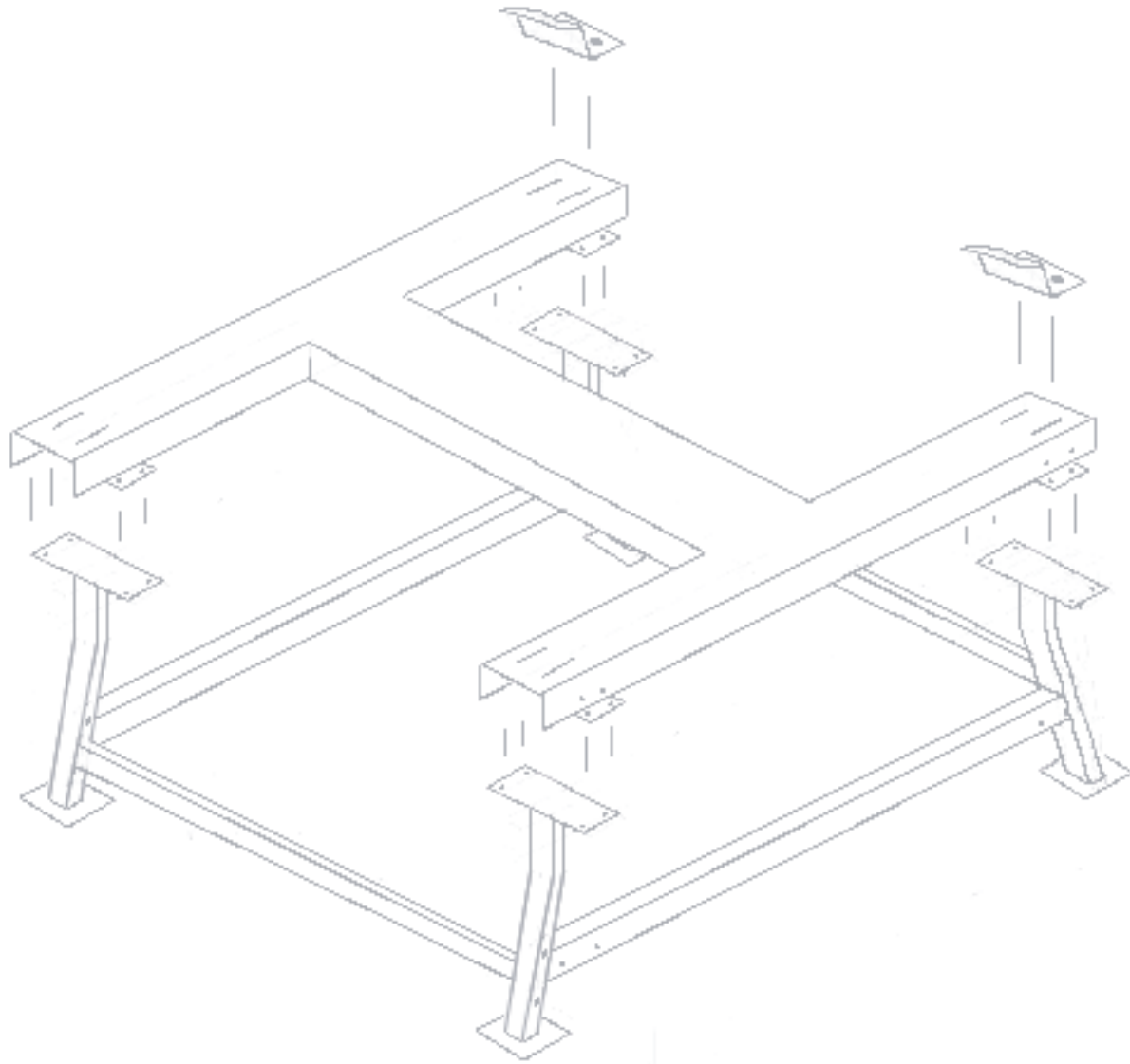


Fasten the two inch (2") cross-members to the seven foot (7') main frames using eight (8) half inch by three and a half inch (1/2" x 3-1/2") bolts, nuts and locks.

**1**



# Canadian Enviro-Tub

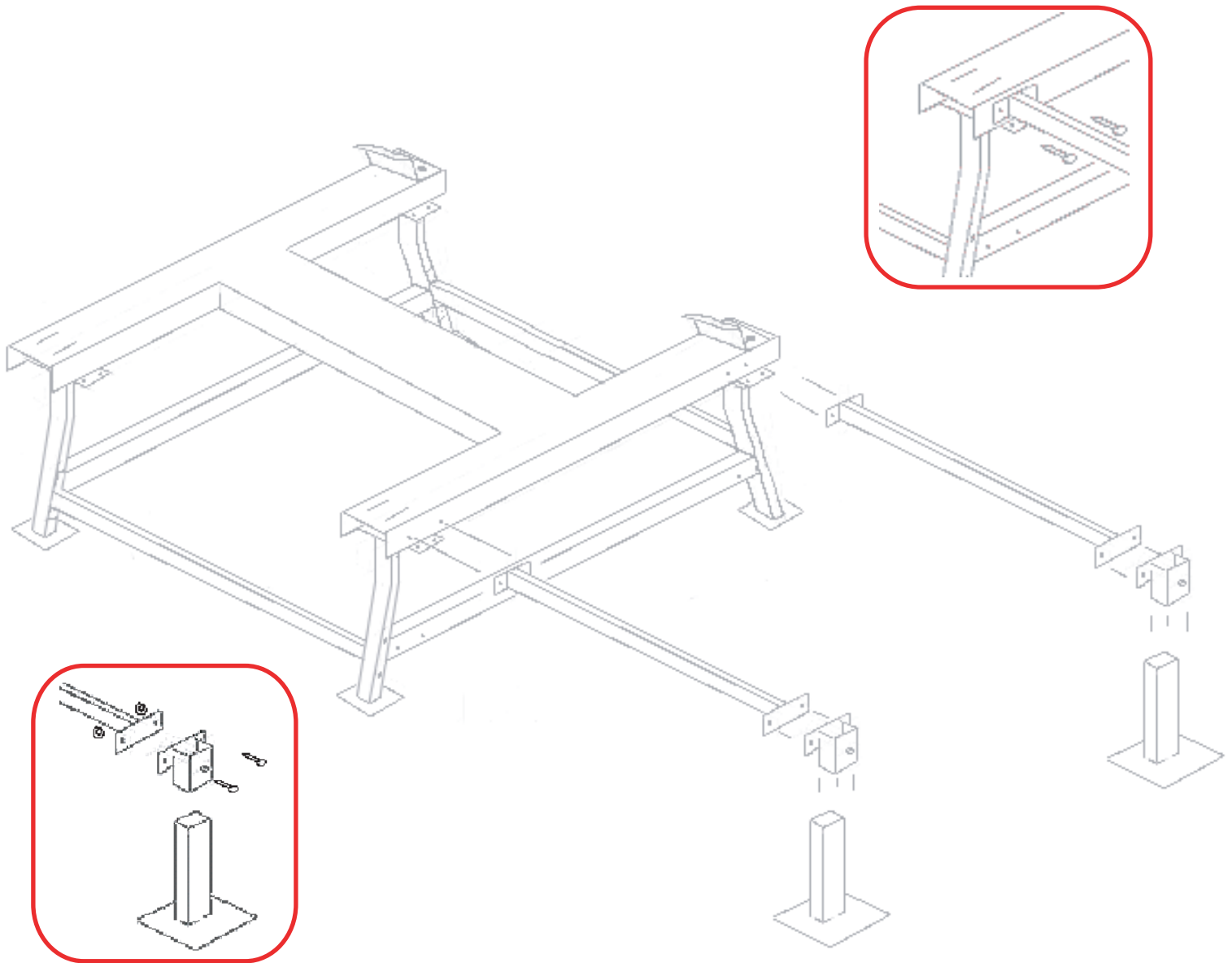


Mount the channel base frame to the main structure using sixteen (16) half inch by one and a half inch ( $1/2'' \times 1-1/2''$ ) bolts, nuts and locks.

Fasten two (2) of the tub hold down clamps to the channel base frame using four (4) half inch by one and a half inch ( $1/2'' \times 1-1/2''$ ) bolts, nuts and locks.



# Canadian Enviro-Tub



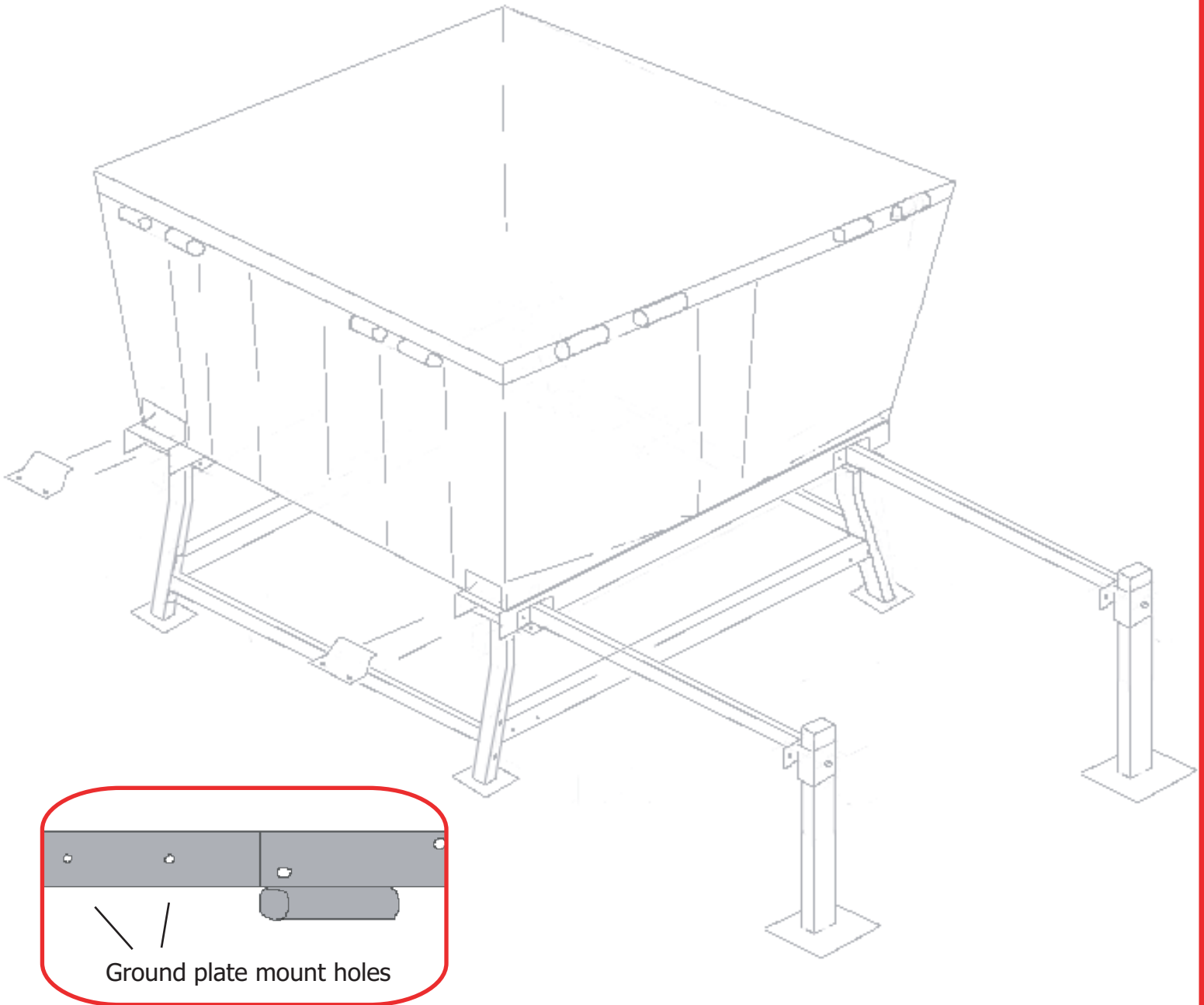
Fasten the ladder mount beams to the main frame cross beam using four (4) half inch by three and a half inch ( $1/2'' \times 3-1/2''$ ) bolts, nuts and locks.

Fasten the stabilizer leg mounts to the ladder mount beams using half inch by one and a half inch ( $1/2'' \times 1-1/2''$ ) bolts nuts and locks

Insert the stabilizer legs into the stabilizer leg mounts and level.



# Canadian Enviro-Tub



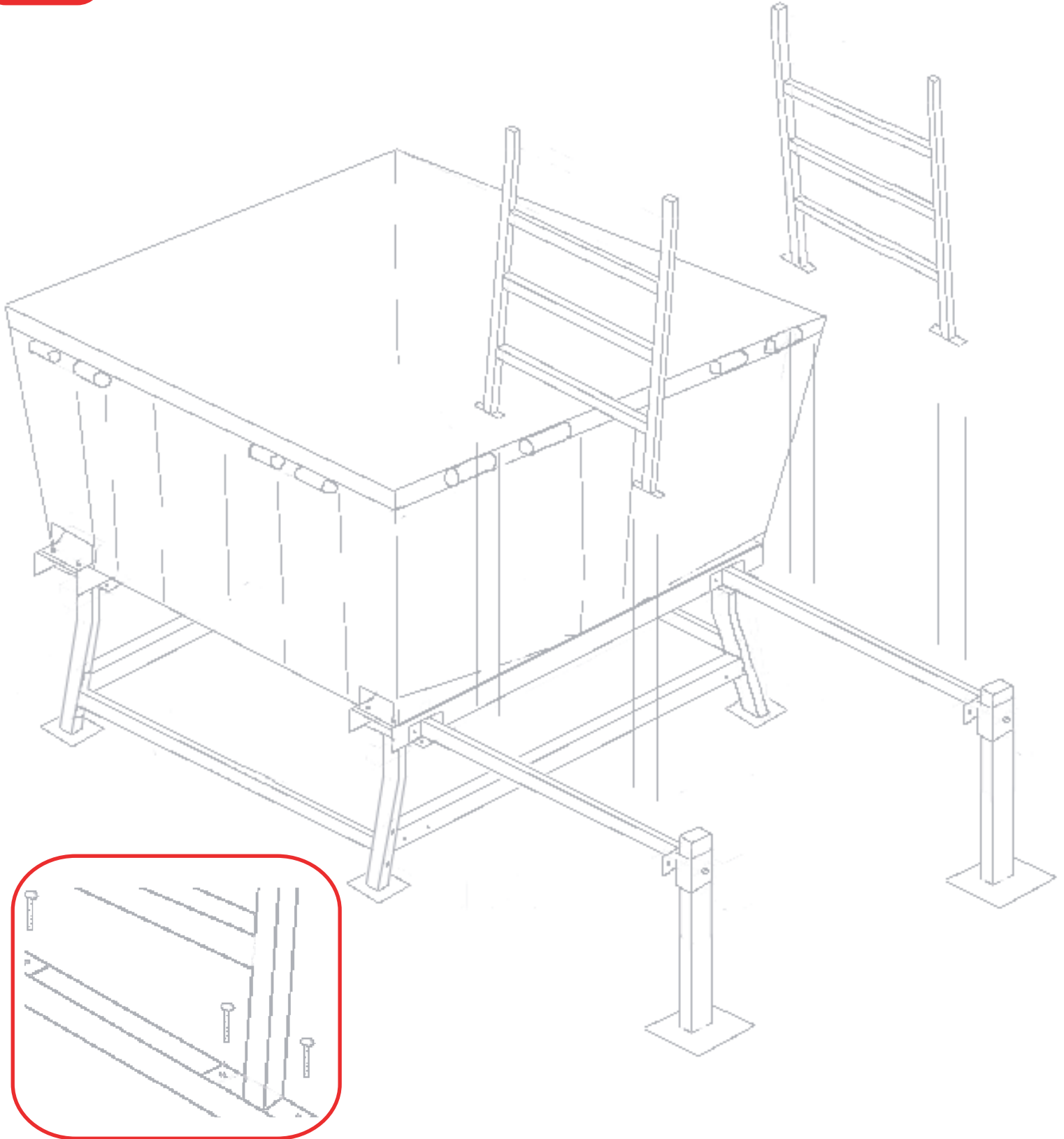
Place bottom half of the Enviro-Tub on the channel frame.

Insert the other two tub hold down clamps using four (4) half inch by one and a half inch ( $1/2'' \times 1-1/2''$ ) bolts, nuts and locks.

Tighten all eight (8) tub hold down clamps to secure tub bottom.



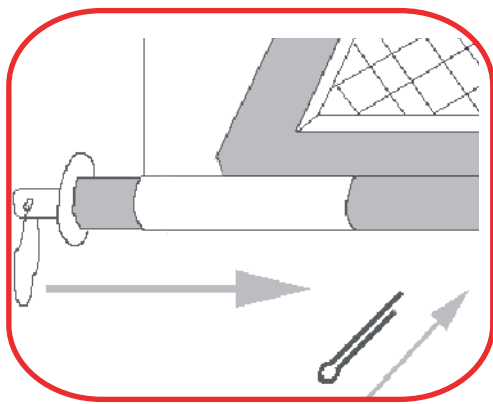
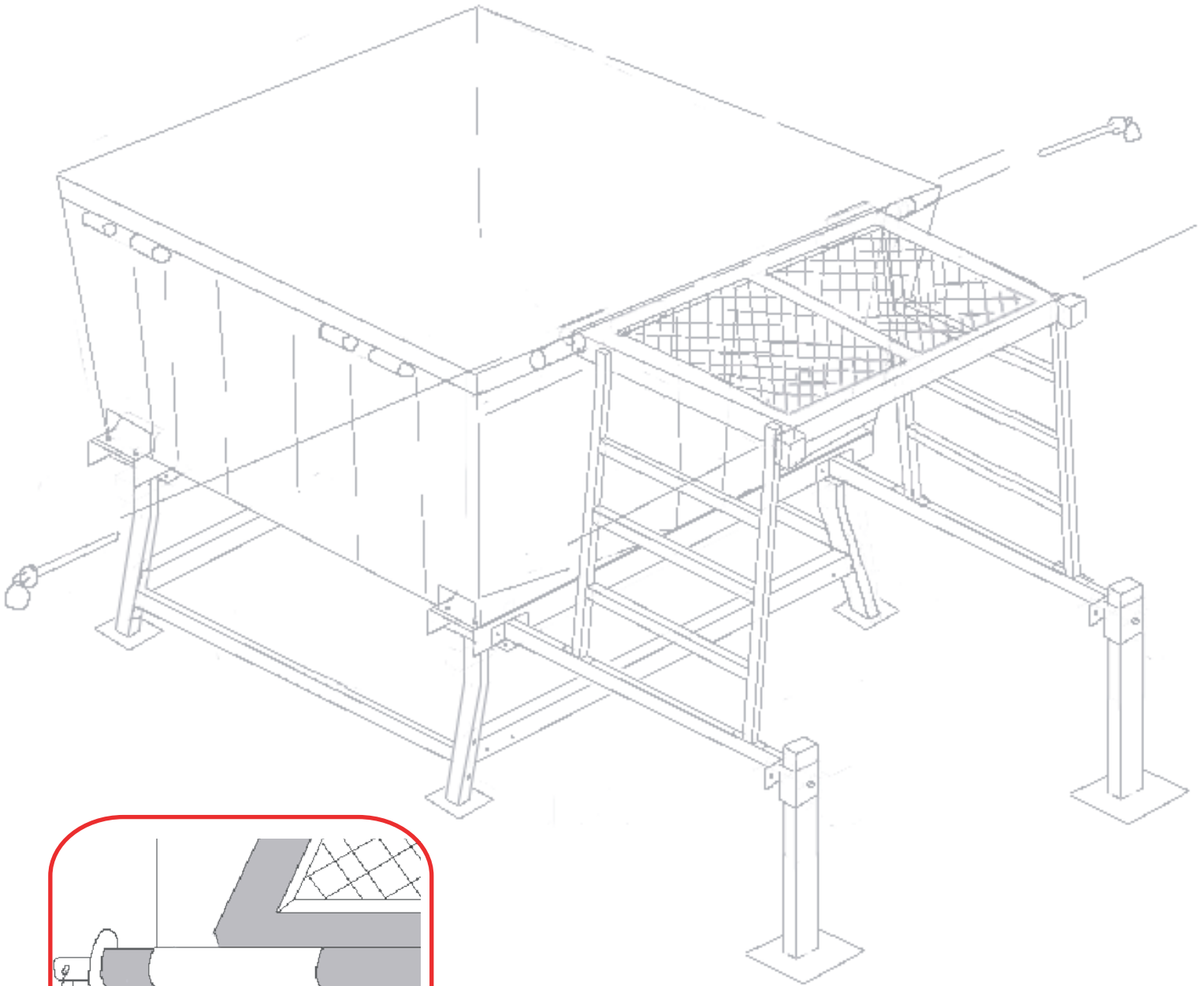
# Canadian Enviro-Tub



Fasten the bottom of the ladder sections to the ladder mount beams using eight (8) three-eighths of an inch by two and a half inch ( $3/8'' \times 2-1/2''$ ) bolts, nuts and locks.



# Canadian Enviro-Tub

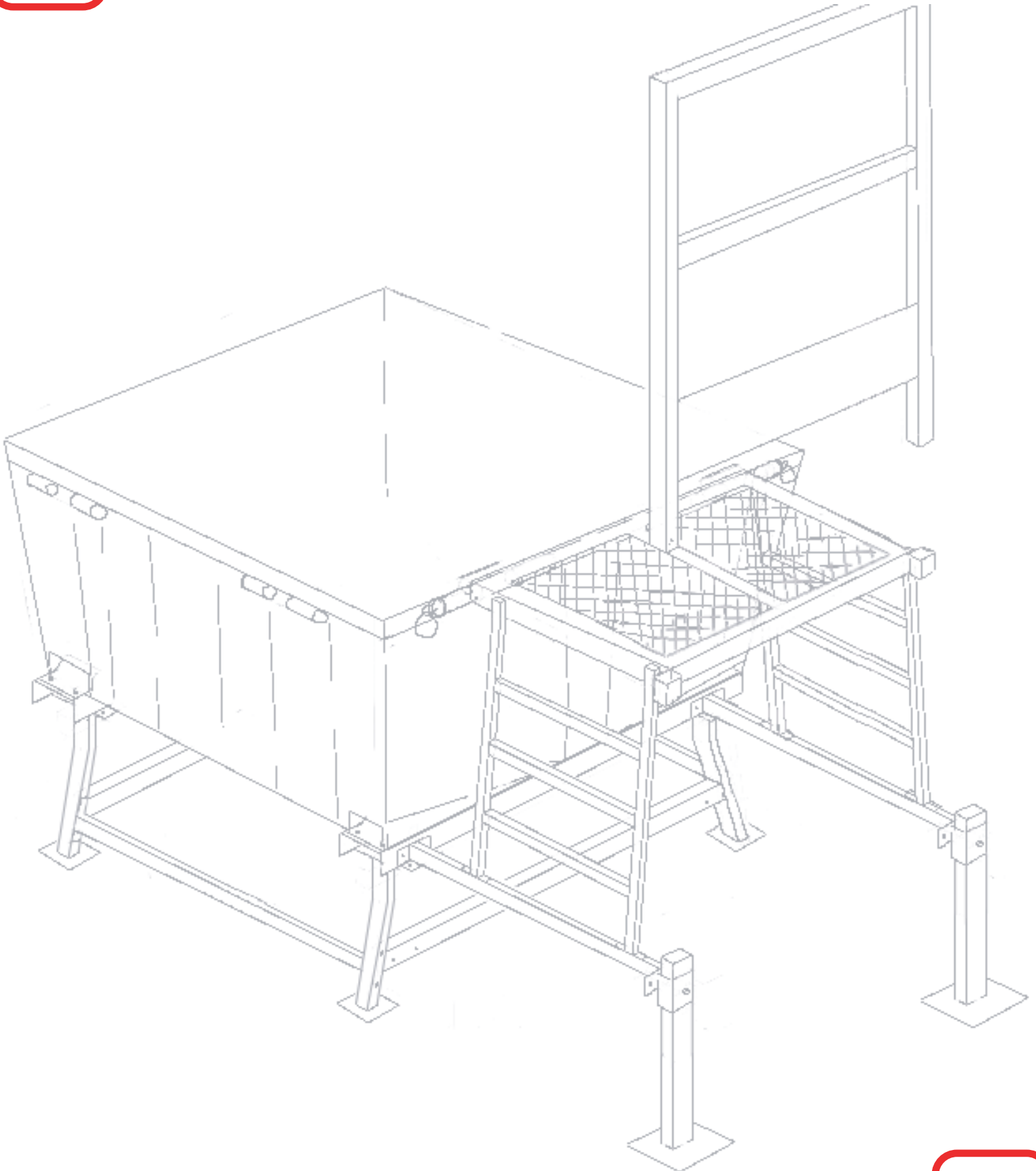


Insert the plate form hinge pins to secure platform to the tub. Making sure to insert safety pins.

Attach front of platform to the upper ladders using four (4) three-eighths inch by two inch ( $3/8'' \times 2''$ ) bolts, nuts and locks.



# Canadian Enviro-Tub



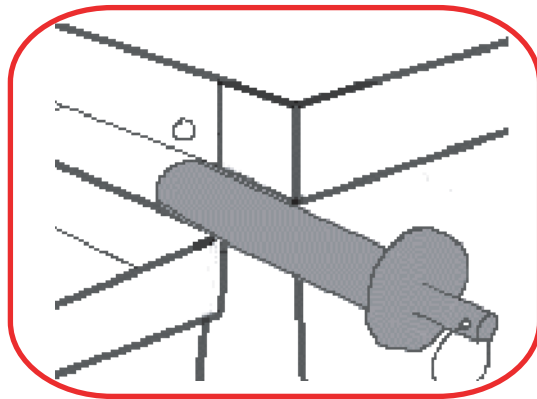
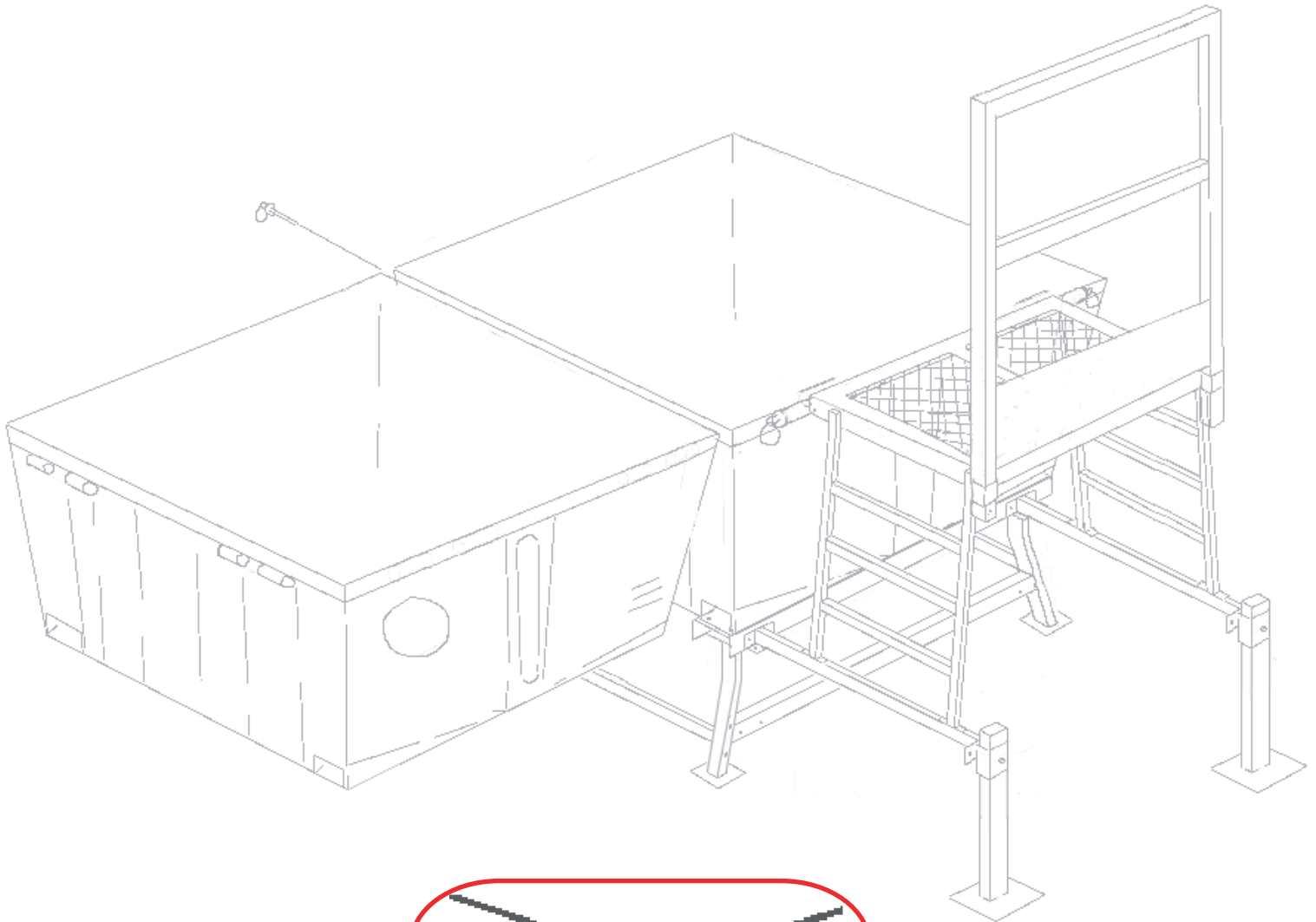
Insert the handrail into the platform handrail mount pockets and secure using two (2) safety pins.

**7**





# Canadian Enviro-Tub

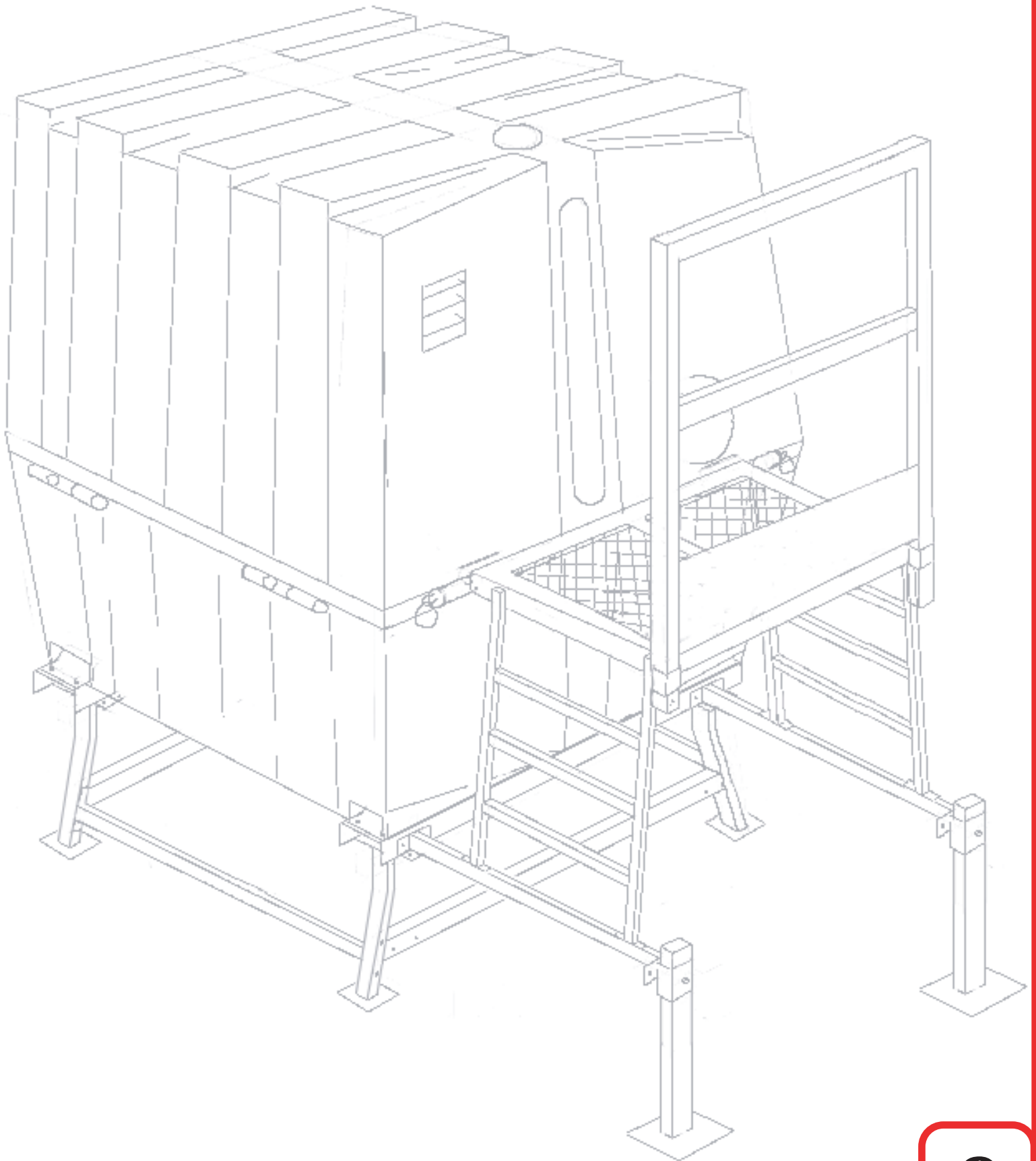


Connect the upper tub section to the lower tub section using two (2) hinge pins.

Make sure to insert the safety pins after securing the tub top.



# Canadian Enviro-Tub



Close the tub lid and insert the remaining two (2) hinge pins.